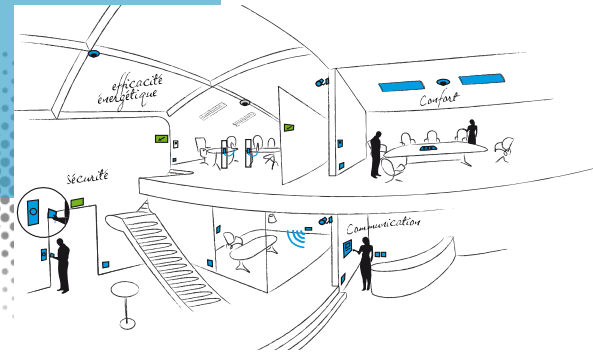


Driver for HVAC



LG

Driver for LG

The integration between Legrand Home Automation system and the HVAC LG system allows the management of HVAC indoor units through the MyHOME or SCS HRMS user interfaces (probes, touch screens, Apps, web pages, ...) with all the functions specified for the MyHOME Temperature control system or SCS HRMS.

▪ Hardware requirements :

1. LG gateway:

- ✓ Modbus-IP gateway
 - **LG ACP BACnet**
(ref. **PQNFB17C1** or **PQNFB17C0**)

2. MyHOME gateway:

- ✓ Legrand **F459** (Driver manager)



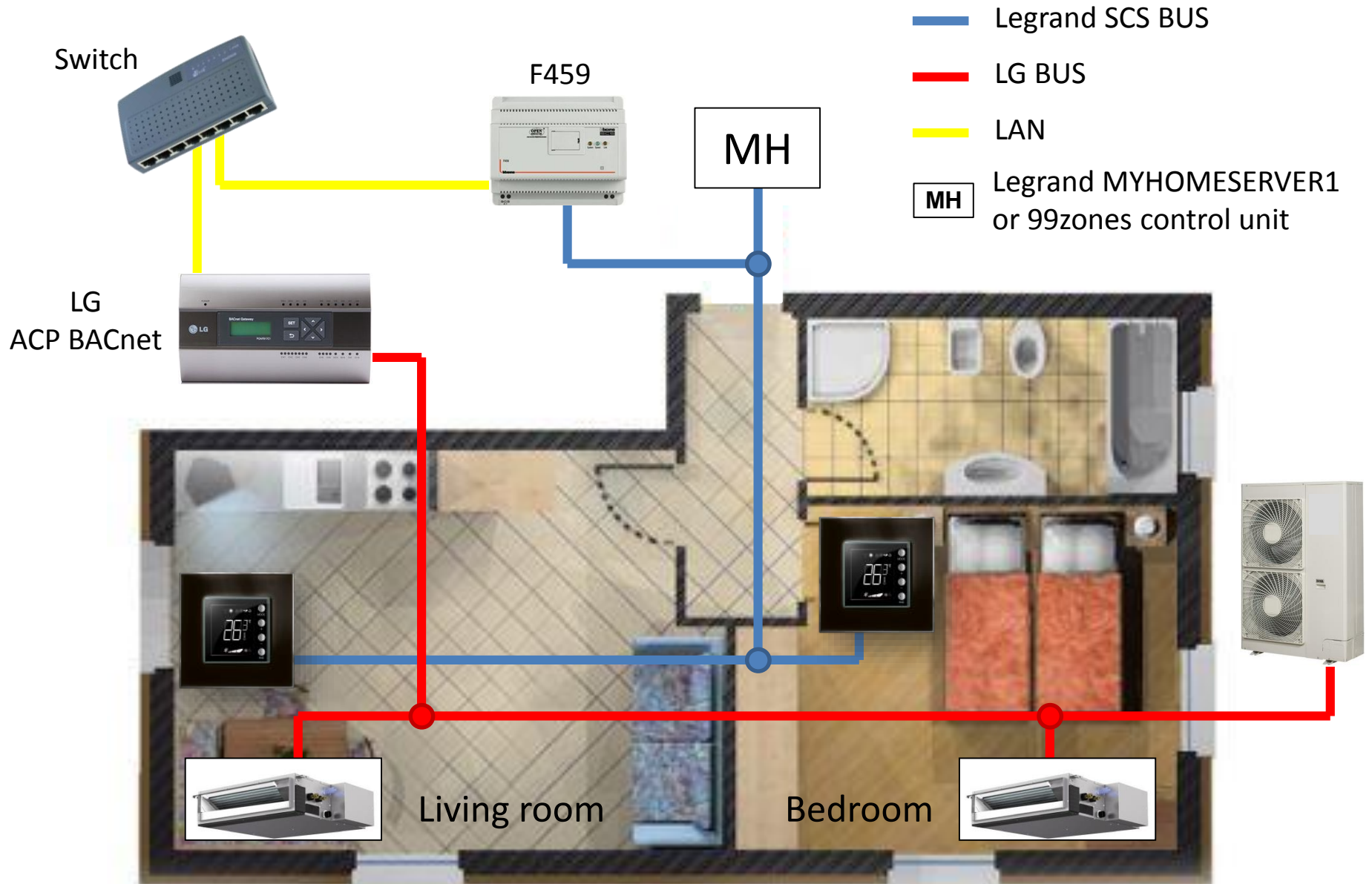
▪ Applications :

1. Single-apartment system
2. Multi-apartment system
3. HRMS (Hotel Room Management System)

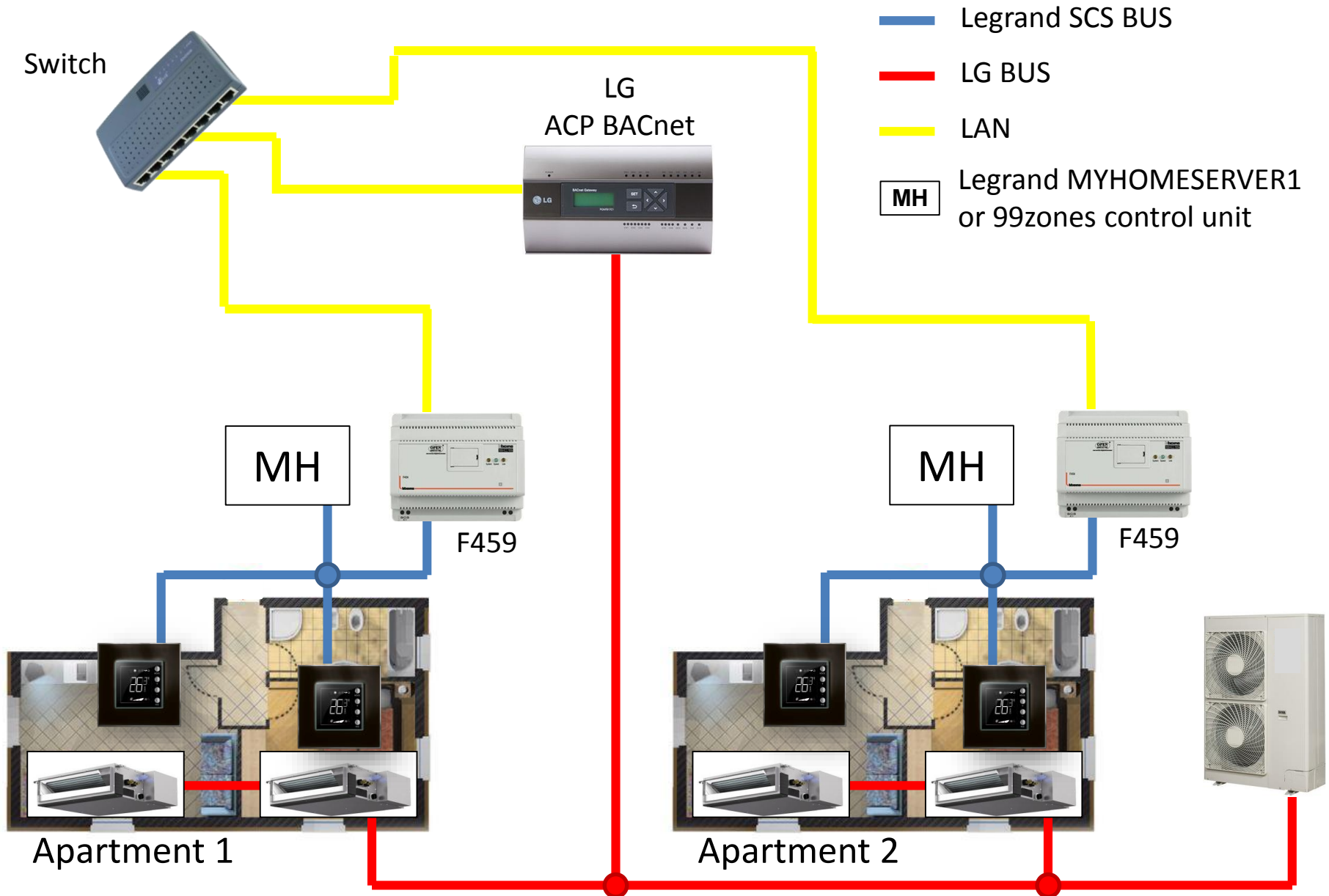


LG
Life's Good

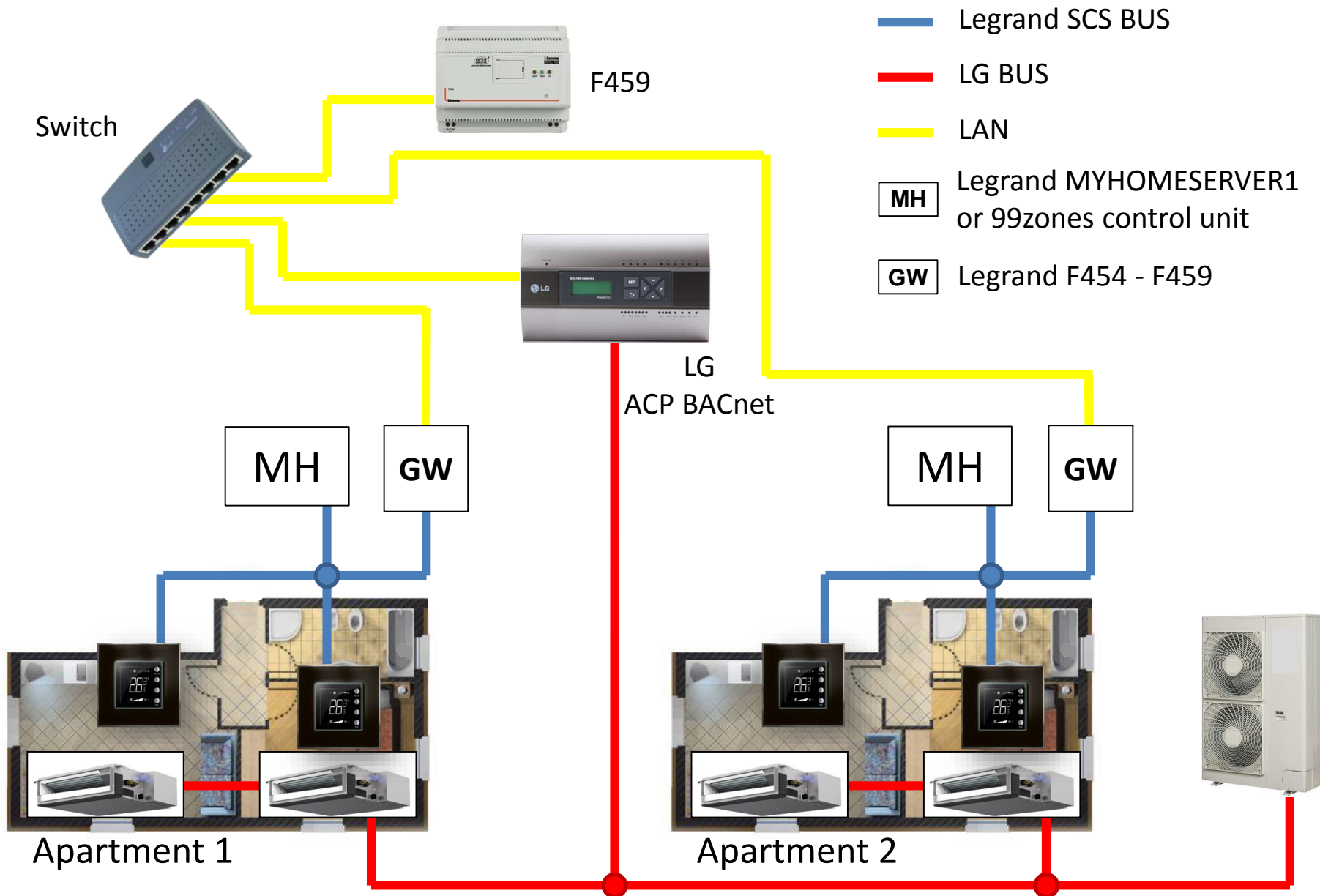
LG – Single-apartment



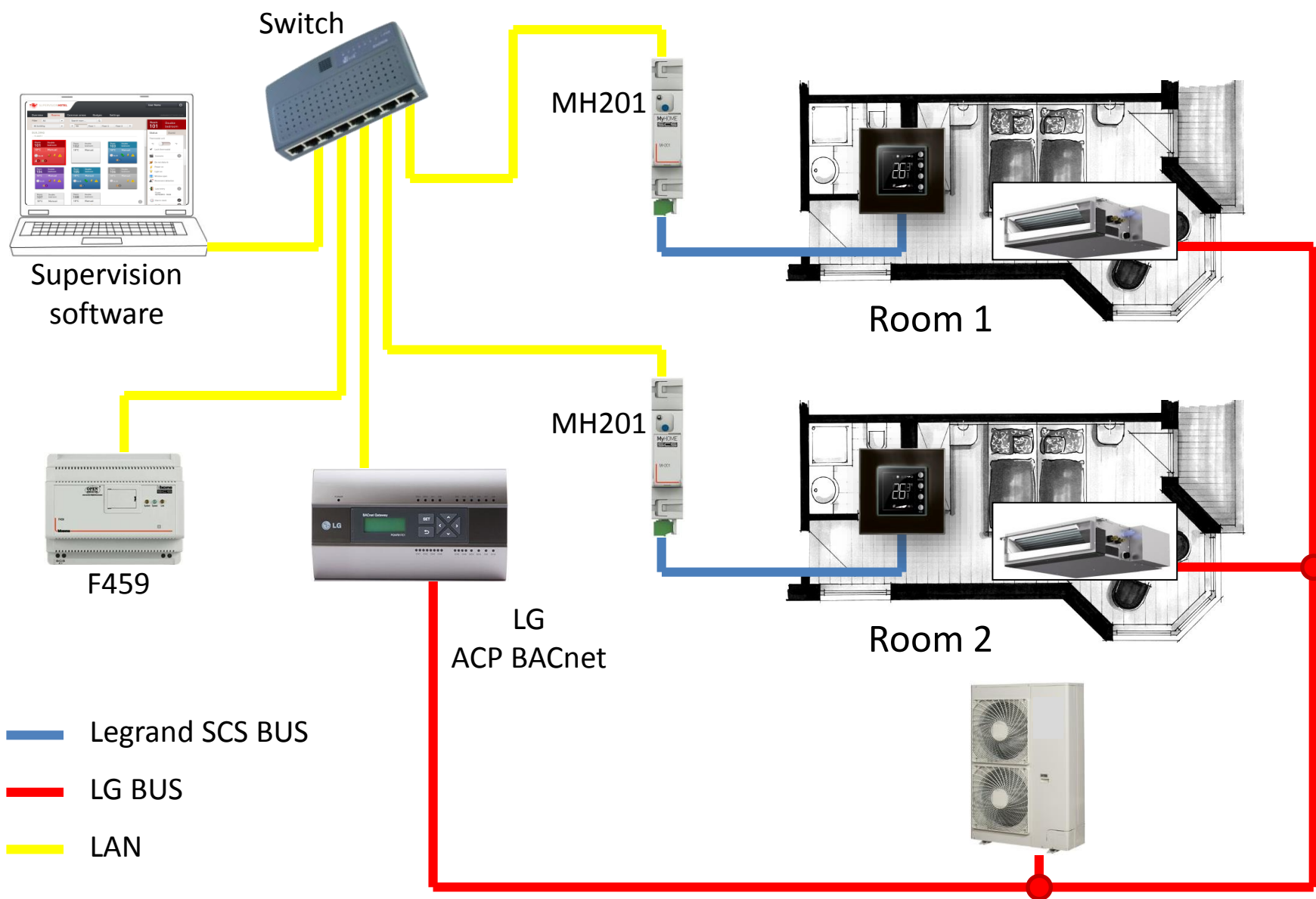
LG – Multi-apartment (case 1)



LG – Multi-apartment (case 2)



LG – HRMS



LG ACP BACnet

FUNCTIONS

- Management of LG HVAC indoor units through MyHOME or SCS HRMS Temperature control system
- Working as a stand-alone solution or integration (Heating & Cooling)
- Management of the operating status indicator of the probe
- Sending commands: Set-point ; Working mode (Heating / Cooling) ; Fan speed
- Working modes selections at the set-point reached: NO Action ; OFF ; Minimum speed

APPLICATIONS

- All LG HVAC machines compatible with LG gateway **ACP BACnet**

DETAILS

- According to LG system operating features, in some cases the HVAC indoor unit needs to work (fan only) after the set-point achievement also. Through variable settings of the “set-point reached” operating mode, it is possible to manage all LG system conditions

NOTES

- Easy installation of the LG **ACP BACnet** (ref. **PQNFB17C1** or **PQNFB17C0**)
- Solution suggested for every kind of installation (high/low number of machines involved)
- LG wired thermostats and/or IR remote controllers must be disconnected or inactive

Available Functions

- Heating / Cooling
 - ON / OFF (and “thermal protection” fixed temperature)
 - Fan Speed (Auto, Low, Medium, High)
 - Temperature Set-Point
 - Measured Temperature by SCS probe
 - Management of the operating status indicator of the probe
-
- VENTILATION and DRY modes (if present) not supported

LG ACP BACnet

ACP BACnet is the central controller that can manage up to 256 equipments in one space individually or as combined. ACP BACnet can monitor or control the equipments installed in each room of the building from the places such as the management office of a building or the administration office of a school..

[LGE ACP BACnet EN ver.1.0.0 20130820 - LG VRF...](#)

