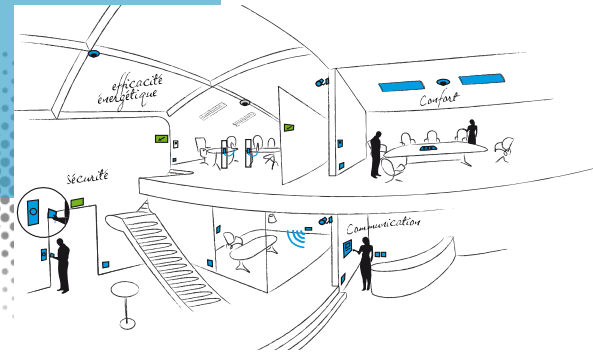


Driver for HVAC



SAMSUNG

Driver for Samsung

The integration between Legrand Home Automation system and Samsung HVAC system allows the management of HVAC indoor units through the MyHOME or SCS HRMS user interfaces (probes, touch screens, Apps, web pages, ...) with all the functions specified for the MyHOME Temperature control system or SCS HRMS.

▪ Hardware requirements :

1. SAMSUNG gateway:

- Modbus-RTU gateway
 - Samsung **MIM-B19N**

2. MyHOME gateway:

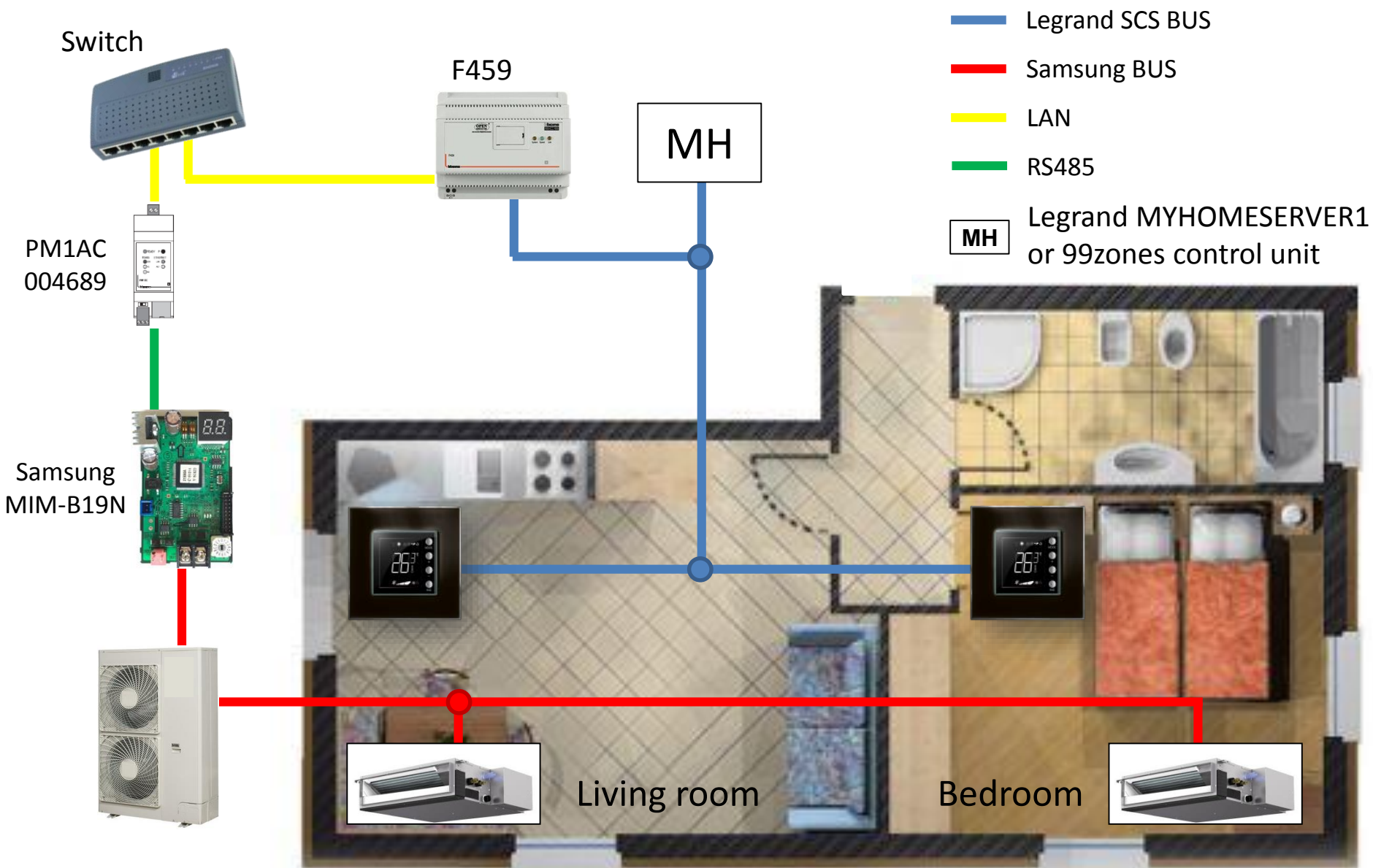
- ✓ Legrand **F459** (Driver manager)

▪ Applications :

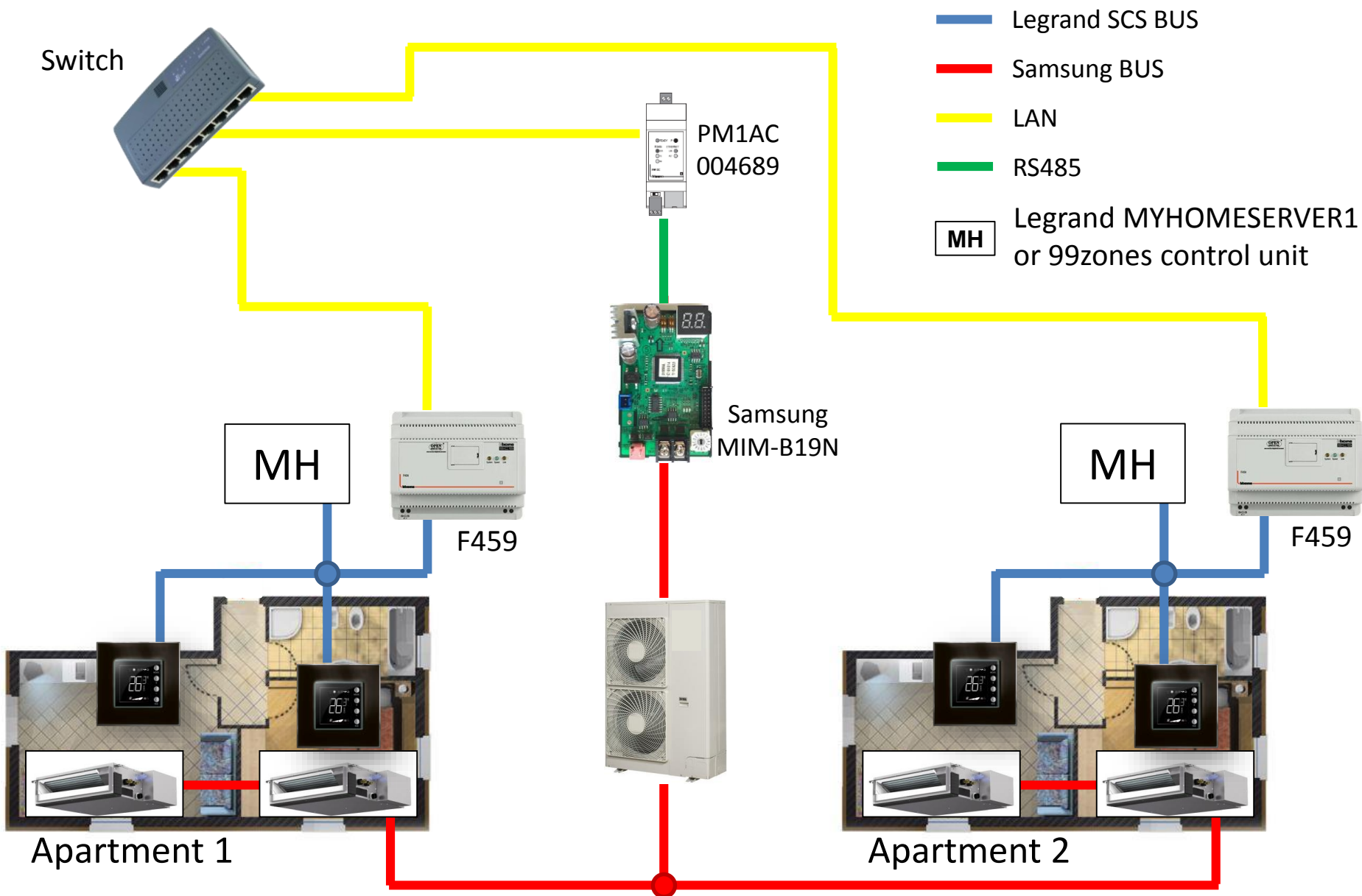
1. Single-apartment system
2. Multi-apartment system
3. HRMS (Hotel Room Management System)



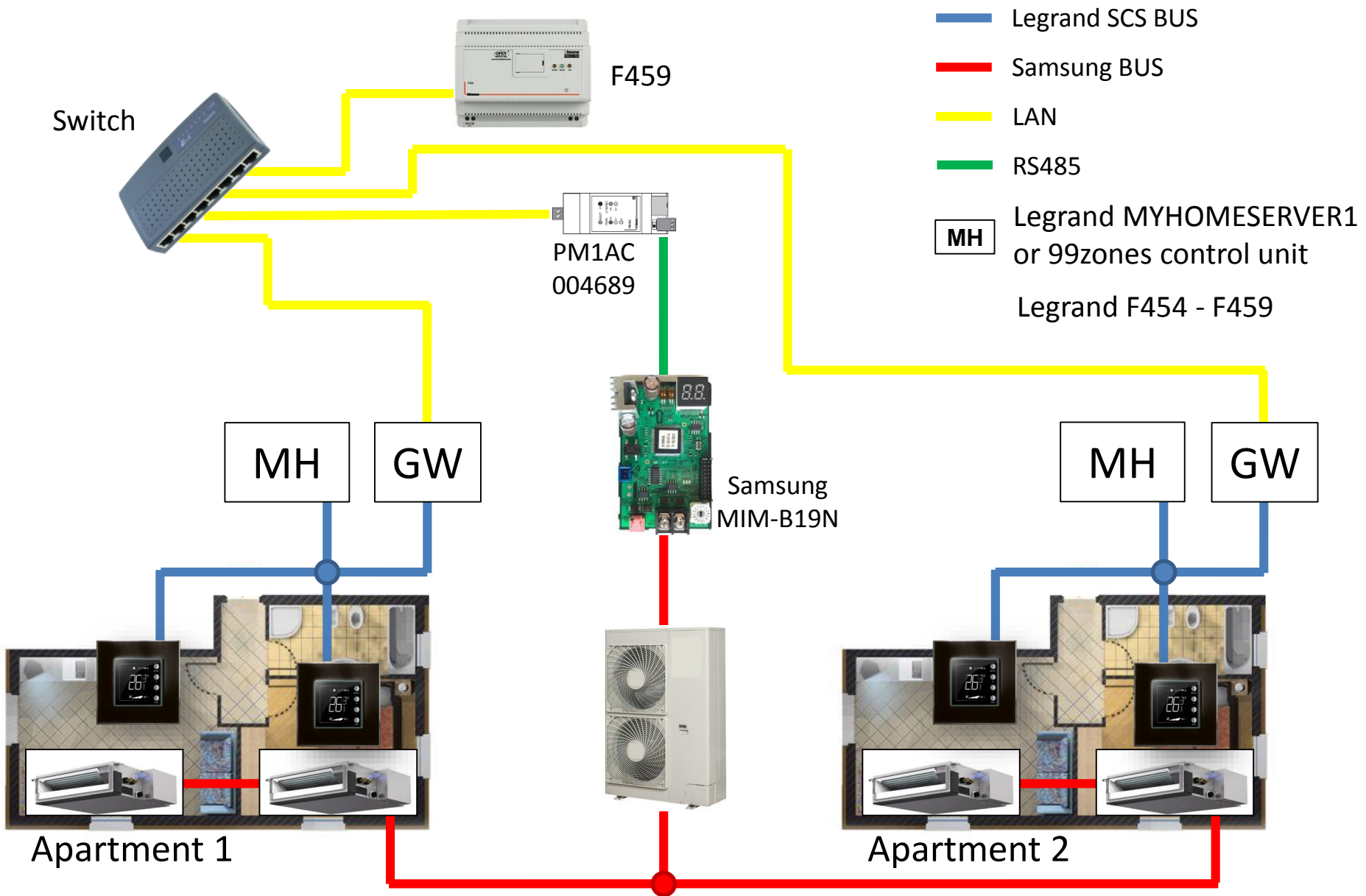
Samsung – Single-apartment



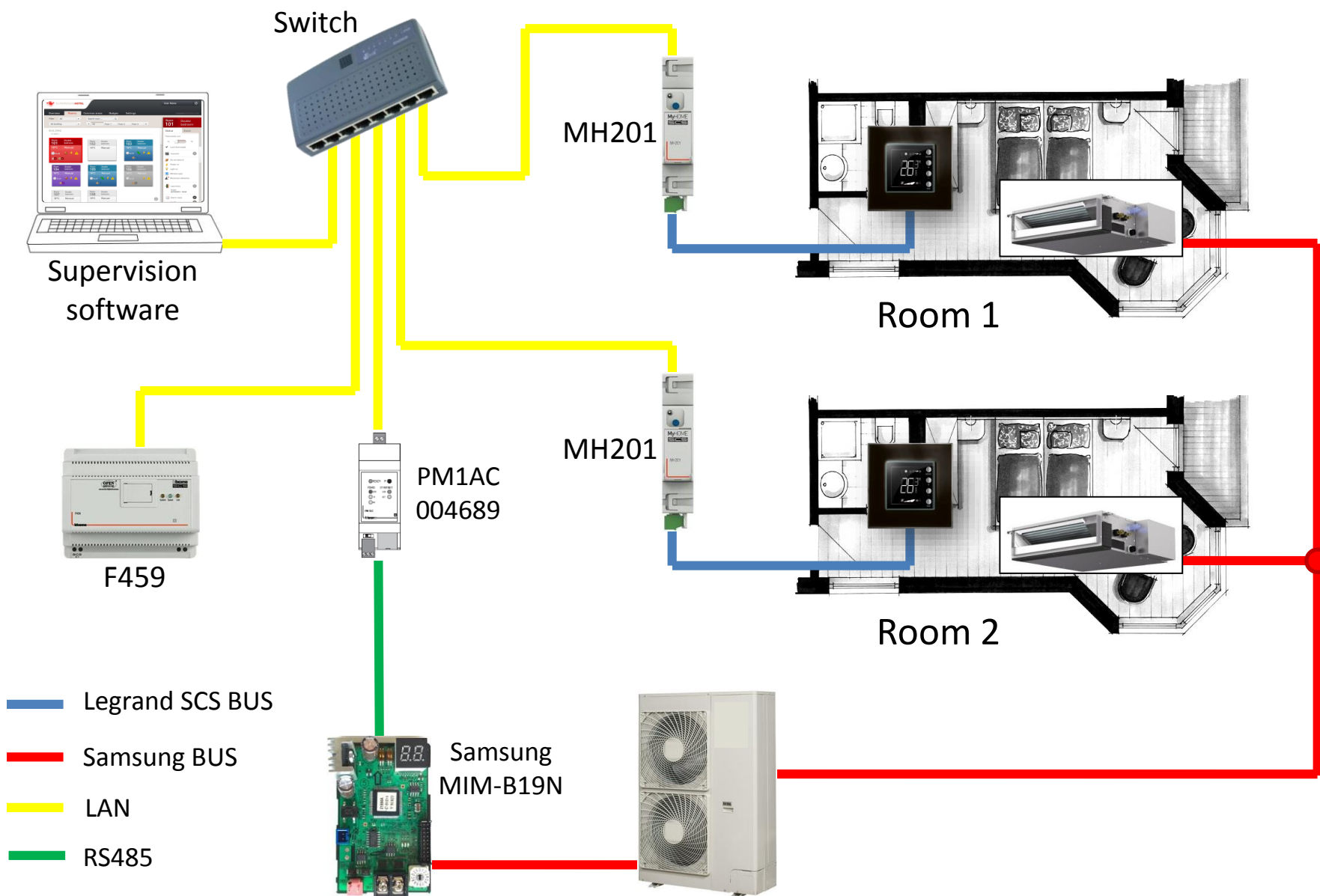
Samsung – Multi-apartment (case 1)



Samsung – Multi-apartment (case 2)



Samsung – HRMS



Driver for Samsung

FUNCTIONS

- Management of the Samsung indoor units through MyHOME or SCS HRMS Temperature control system
- Working as a stand-alone solution or integration (Heating & Cooling)
- Management of the operating status indicator of the probe
- Sending commands: Set-point ; Working mode (Heating / Cooling) ; Fan speed
- Working modes selections at the set-point reached: NO Action ; OFF ; Minimum speed

APPLICATIONS

- All Samsung machines compatible with the Samsung Modbus gateway **MIM-B19N**

DETAILS

- According to Samsung system operating features, in some cases the HVAC indoor unit needs to work (fan only) after the set-point achievement also. Through variable settings of the “set-point reached” operating mode, it is possible to manage all Samsung system conditions
- Samsung Modbus gateway to be connected to the Outdoor unit.

NOTES

- Additional hardware: Legrand **004689** or BTicino **PM1AC**
- Solution suggested for every kind of installation (high/low number of machines involved)
- Samsung wired thermostats and/or IR remote controllers must be disconnected or inactive

Available Functions

- Heating / Cooling
 - ON / OFF (and “thermal protection” fixed temperature)
 - Fan Speed (Auto, Low, Medium, High)
 - Temperature Set-Point
 - Measured Temperature by SCS probe
 - Management of the operating status indicator of the probe
-
- VENTILATION and DRY modes (if present) not supported

Samsung MIM-B19N

Description

- Communication device that interface indoor and outdoor units with external control system

Specifications

- DC 12V power source for Free Joint Multi, CAC and RAC
- RS485 communication (F1/F2) to outdoor unit with supplied connection wire
- RS485 communication (R1/R2, R3,R4, R5/R6) to Centralized Controller(s)
- RS485 communication (R1/R2) to DMS2
- Mounts in outdoor unit

<https://www.samsung.com/uk/support/model/MIM-B19N/>



MIM-B19N