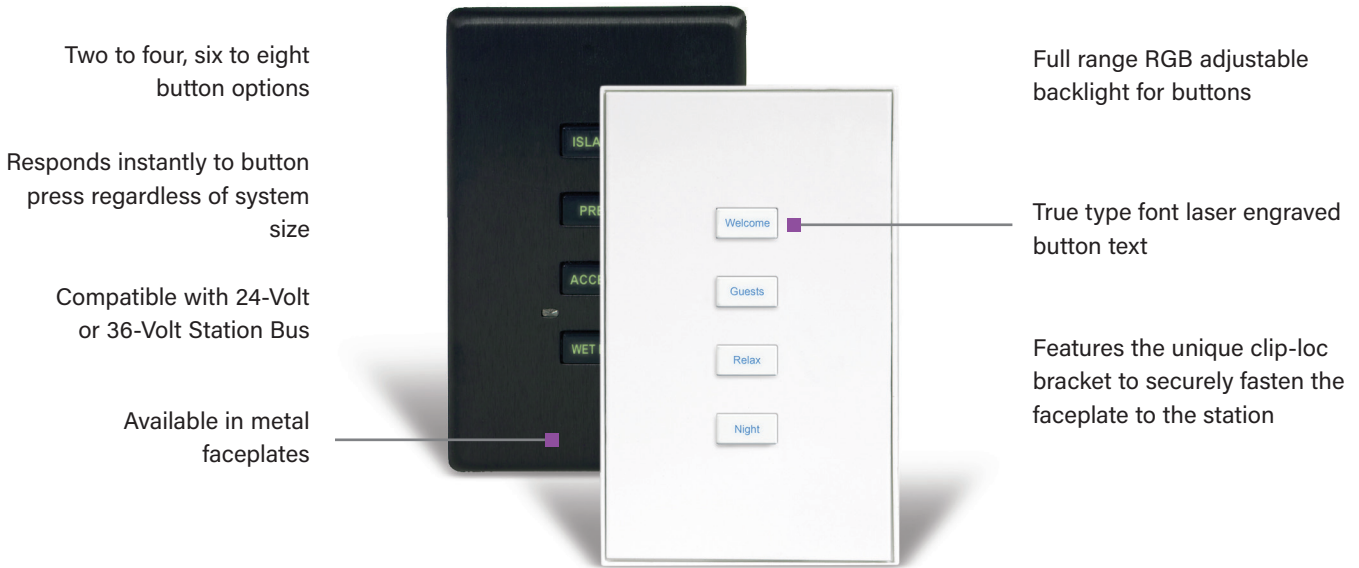


# RP-TOUCH KEYPAD STATION

KSSXXAR/KSRXXAR



Two to four, six to eight button options

Responds instantly to button press regardless of system size

Compatible with 24-Volt or 36-Volt Station Bus

Available in metal faceplates

Full range RGB adjustable backlight for buttons

True type font laser engraved button text

Features the unique clip-loc bracket to securely fasten the faceplate to the station

## DESCRIPTION

RP-Touch is Vantage’s premiere backlit laser-engraved control point. Each button is evenly lit with a built in diffuser and a tri-color LED, providing unlimited color choices. True type fonts are used to describe the button function with either color change or light intensity indicating the status of the button.

## OPERATION

RP-Touch keypads are designed and programmed through Design Center software (2.3 or higher). Installation is very simple, requiring a proprietary 2-wire Vantage Station Bus pigtail connection. The RP-Touch can be mounted into standard 1-4 gang electrical boxes.

## HIGHLIGHTS

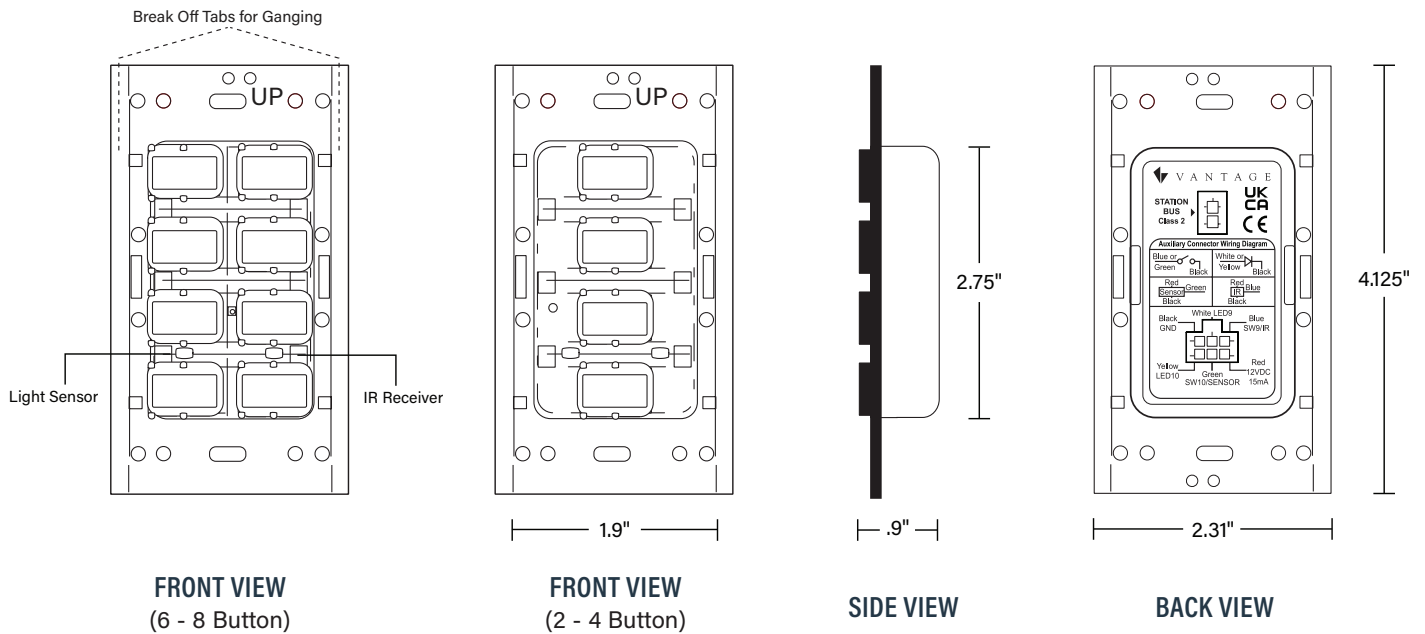
The keypad also features an ambient light sensor for automatic day/night backlight intensity control. Faceplates are exclusively available in metal to further promote the combination of style and performance.

## APPLICATIONS

The RP-Touch keypad station ideal for any application. From residential to commercial and small to large projects, RP-Touch can accomplish whatever automation needs you might have. Its simplistic appearance makes it a perfect solution for reduced wall clutter.

PROJECT		LOCATION/ TYPE	
---------	--	-------------------	--

## MULTI-VIEW LINE DRAWING



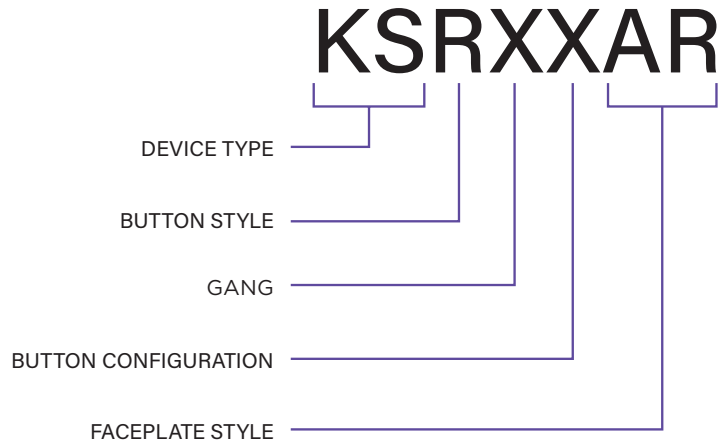
## FEATURES

- True type font laser engraved button text
- Full range RGB adjustable backlight for buttons
- Ambient light sensor for automatic day/night backlight intensity control
- Built-in IR receiver
- Responds instantly to button press regardless of system size
- Accepts multi-event programming on a single button
- Uses the standard Vantage two-wire, non-polarized Station Bus
- Compatible with 24-volt or 36-volt station bus
- Features the unique clip-loc bracket to securely fasten the faceplate to the station
- Built-in surge suppression
- Available in metal faceplates

## SPECIFICATIONS

Dimensions, 1-Gang:	4.125" x 2.31" x 0.9" (105mm x 58mm x 23mm)
Model:	KSSXXAR, KSRXXAR
Weight, 8-Button Keypad:	1.8 oz (51g)
Faceplate Styles and Finishes:	See the Station and faceplate finishes specification sheet for a complete list of options
IR Receiver:	Yes, built-in / standard
LED:	RGB, full color
Number of Buttons:	2, 4, 6, 8
Maximum Number of Auxiliary Inputs:	2
Power For External Devices:	15mA @ 12VDC
Sound:	Yes, variable pitch
Station Count, InFusion:	2 or 4 buttons count as 0.75Watts @ station 6 or 8 buttons count as 0.99Watts @ station
Station Bus Wiring Minimum:	2 Conductor, 16 AWG stranded, non-shielded twisted pair, 30 pF/foot max, UL rated CL2
Station Bus Topology:	Any combination of daisy chain or branch or home run
System Compatibility:	InFusion
Certifications:	UKCA, CE

**STATION ORDERING KEY FOR RP-TOUCH KEYPAD STATION**



TECHNOLOGY TYPE	GANGS	BUTTON CONFIGURATION	TRIM/FACEPLATE STYLE	BUTTON STYLE	BUTTON and FACEPLATE COLOR	ENGR-AVED?	LED STATUS COLOR
<input type="radio"/> KS = Keypad Station	1 = Single Gang	1 = 1 Button	T = TrimLine	G = EasyTouch Glass	LW = Legrand White	Y = Yes	A = Tri-Color "ALL"
<input type="radio"/> DS/SD = WireLink Dimmer	2 = 2 Gang	2 = 2 Button	X = No trim	E = EasyTouch II	BK = Black	N = No	
<input type="radio"/> RD = RadioLink Dimmer	3 = 3 Gang	3 = 3 Button	P = Plastic		LA = Light Almond		
<input type="radio"/> SR = WireLink Relay	4 = 4 Gang	4 = 4 Button			DB = Dark Bronze		
<input type="radio"/> RR = RadioLink Relay		5 = 5 Button			NI = Nickel		
<input type="radio"/> SDR = WireLink Dual Relay							
<input type="radio"/> RDR = RadioLink Dual Relay							

**ORDERING INFORMATION**

Catalog #	Description	Voltage / Misc.
<input type="checkbox"/> KSRXXAR	RP-Touch Keypad Station, TrimLine Plate	24V / Up to 50 stations per bus
<input type="checkbox"/> KSSXXAR	Standard Keypad Station, SoftLine Plate	
<input type="checkbox"/> VDA-0040-L	Station pigtail cable assemblies (25 to a bag)	