

# RAIN AND WIND SENSOR

Energy Management - Sensors



With sensors included as part of a Vantage System home owners can enjoy the full benefits of an automated home. Tasks that used to require toggling a light switch or pressing a button can now be triggered simply by weather conditions.

The rainsensor: this sensor gives the possibility to detect rain. This action can be transferred into any event on the VANTAGE system. By connecting this sensor to any input on a station, (see later in this section), the action could be closing a window, closing the awnings or stopping the sprinkler system in the garden, ... automatically when it's raining.

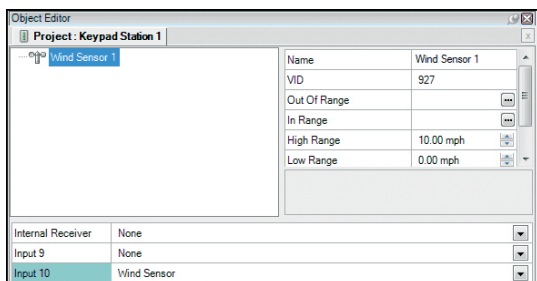
The windsensor gives the possibility to detect the wind level. This action can be transferred into any event on the VANTAGE system. By connecting this sensor to the "sensor input" (keypad, CIS, standard DIN-dimmer, LVOS) the action could be closing the awnings, stop the fountains in the garden.... The sensor value can be used also as a condition to prevent certain actions from executing when there is too much wind.



Rain Sensor



Wind Sensor

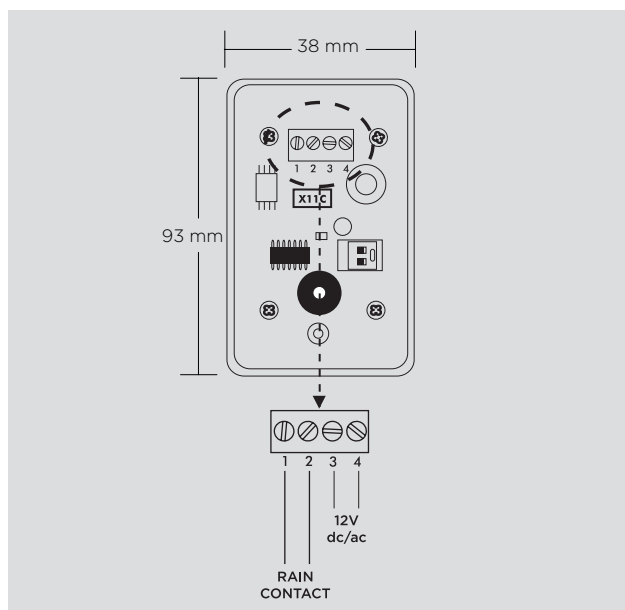


Easy set-up in InFusion Design Center

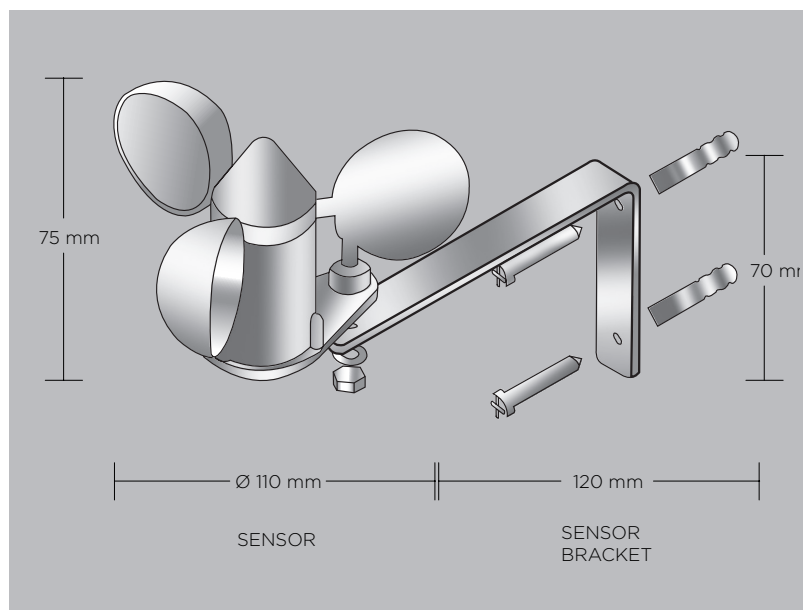
## Product Highlights

- Mounts on a bracket
- Mounts vertically
- Colour: White
- The sensor housings are weatherproof
- Rain Sensor: Detect rain: Yes/No
- Wind Sensor: Gives the exact wind speed

## Rainsensor



## Windsensor



## Specifications Rain Sensor

### Dimensions, HWD

93 x 38 x 28 mm

### General Specifications

Model	Rain Sensor RS-II
Weight	50g
Power Supply	12Vac/dc, 50/60 Hz
Contacts Capacity	100mA 12Vac/dc
Consumption	6mA with open contact 10 mA with close contact
Working Temperature	from -20 to +55 °C
Degree of protection	IP55

### System Compatibility

InFusion  
QLink

## Specifications Wind Sensor

### Dimensions

Sensor	110 mm diam., 75mm height
Mounting bracket	from wall 120mm, on wall 70mm

### General Specifications

Model	Anemo Sensor X-15C
Weight	170g
Contacts Capacity	gives frequency output

### System Compatibility

InFusion  
QLink