

UNIVERSAL HVAC INTERFACEPOINT

HVAC

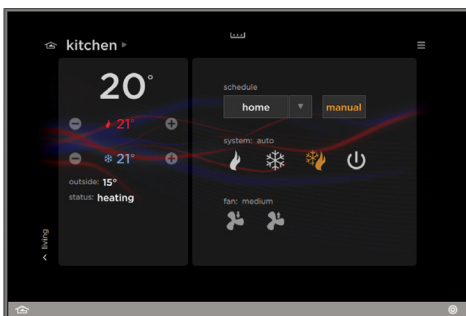
cs in

The new Vantage Universal HVAC InterfacePoint makes it easy to integrate any available HVAC systems brands into the Vantage InFusion System.

The Available HVAC systems brands are: HVAC-IU-DK (for Daikin), HVAC-IU-HT (for Hitachi), HVAC-IU-ME (for Mitsubishi), HVAC-IU-MH (for Mitsubishi Heavy), HVAC-IU-SA (FOR Sanyo), HVAC-IU-TO (for Toshiba), HVAC-IU-FJ (for Fujitsu), HVAC-IU-LG (for LG), HVAC-IU-GR (for Gree), HVAC-IU-SM (for Samsung VRF Systems), HVAC-IU-PN (for Panasonic), HVAC-IU-TR (for Trane), HVAC-IU-KT (for Kentatsu)

It allows the homeowners to fully control the Vantage Universal HVAC InterfacePoint by using keypads, touchscreens, motion sensors, timers etc. And gives feedback from the actual temperature and setpoints on the Equinox touchscreens.

It simply connects straight to the air conditioning system two wire communication lines and a Vantage TCP port.

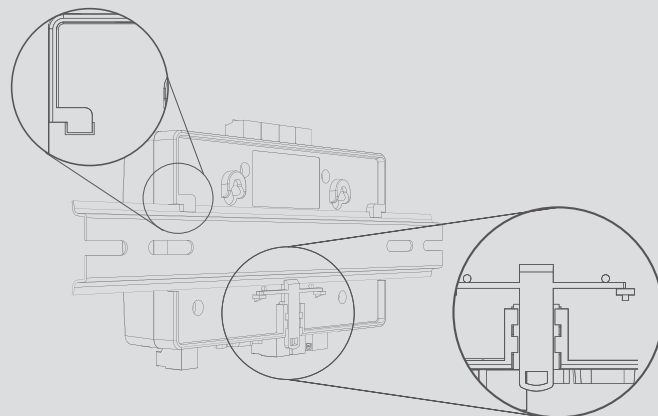
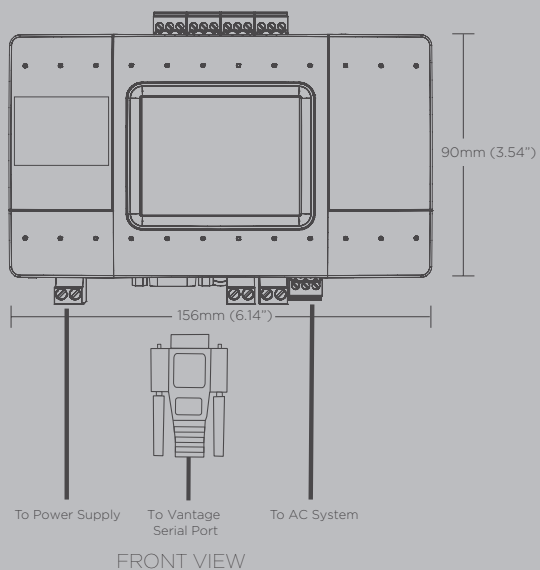


Easy control on the Equinox touchscreens

Product Highlights

- Full Control over Indoor Units Operation
- On/Off control, Cool, Heat, Fan, Dry mode selection, Set Temperature Control, Fan Speed Control, Swing Control (for wall mounted and cassette indoor units), Group Operations
- Indoor Units Monitoring
- Set point temperature, Operation status (cool/heat/idle), Operation mode (auto/cool/heat/fan/dry), Fan speed (depending AC type),
- Compatible with Daikin, Hitachi, Mitsubishi, Mitsubishi Heavy, Sanyo, Toshiba, Fujitsu, LG, Gree, Samsung VRF Systems, Panasonic, Trane, and Kentatsu air conditioning systems
- Easily mounting with DIN Rail on a wall

Universal HVAC InterfacePoint



BACK VIEW WITH DIN RAIL

Specifications

Dimensions, HWD

Thermostat Dimensions	90mm x 156mm x 35mm 3,54"x6.14"x1.33"
-----------------------	--

General Specifications

Model	HVAC-InterfacePoint: HVAC-IU-DK (for daikin), HVAC-IU-HT (for Hitachi), HVAC-IU-ME (for mitsubishi), HVAC-IU-MH (for Mitsubishi Heavy), HVAC-IU-SA (for Sanyo), HVAC-IU-TO (for Toshiba), HVAC-IU-FJ (for Fujitsu), HVAC-IU-LG (for LG), HVAC-IU-GR (for Gree), HVAC-IU-SM (for Samsung VRF Systems), HVAC-IU-PN (for Panasonic), HVAC-IU-TR (for Trane), HVAC-IU-KT (for Kentatsu)
Weight	266g (9.38oz)
Communication	TCP or Serial
HVAC Connection Line	Two screw terminals
Power Supply	AC Power supply adapter 100V-240V, to 12V DC, 50/60Hz
LCD Display Information	On/Off control Cool, Heat, Fan, Dry mode selection Set Temperature Control, Fan Speed Control, Swing Control Filter Reset Sign, Group Operations

System Compatibility

InFusion with feedback on the Vantage touchscreen