

MINI MOTION SENSOR 360° II - 5X2,5 - FLUSHMOUNT

Energy Management



With sensors included as part of a Vantage System home owners can enjoy the full benefits of an automated home. Tasks that used to require toggling a light switch or pressing a button can now be triggered simply by entering a room or by changes in ambient daylight. The Vantage Mini Motion Sensor 360° II - 5x2,5 - Flushmount enhances the abilities of a Vantage System by using motion to trigger tasks. Inconspicuously mounted in either the ceiling or wall, the 360° detection compact dome lens senses human body motion to trigger lights, security cameras or other devices connected to the Vantage System.

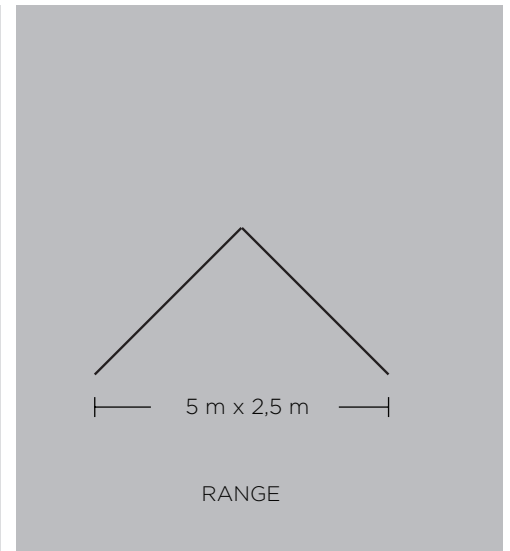
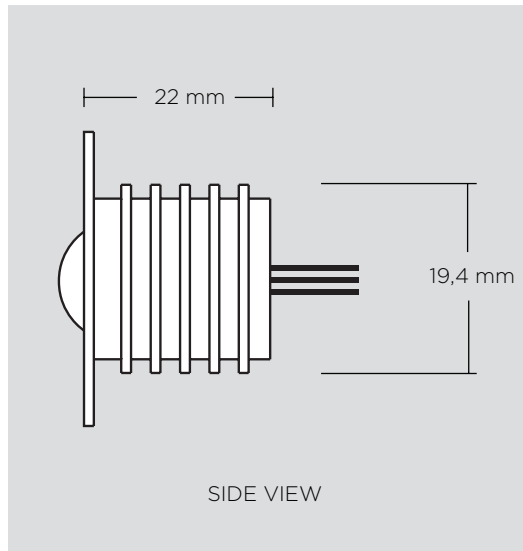
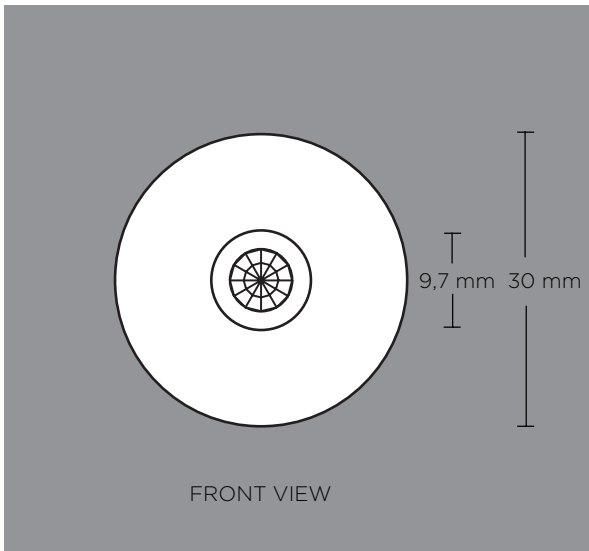
Why pay for electricity to light an empty room? Motion sensors also offer the perfect solution to conserve energy by automatically dimming or completely shutting off lights in unoccupied areas of the home.



Product Highlights

- Extremely small PIR sensor
- Excellent small motion detection capability
- 360° detection compact dome lens
- Low operation power consumption
- TTL open collector digital output
- Can be wired to the auxiliary input on the back of any Vantage keypad station
- Can be wired as a dry contact to different Vantage stations with inputs available
- Mounts without screws
- Installs up to 30m from the host station
- Compliments to any decor with an ultra-slim, inconspicuous design
- Adapts to match any room by painting the trim

Mini Motion Sensor 360° II - 5x2,5 - Flushmount



Specifications

Dimensions, HWD

30mm x 22mm x 19,4mm
1,18" x 0,86" x 0,76"

General Specifications

Model	FL-MS MINI 360° II - 5x2,5
Infrared Sensor	Pyroelectric
Signal output format	TTL open collector (low when no detection)
Mounting Height	1,8m - 3,0m (6ft - 10ft)
Current Drain	4mA
Cut-out Dimensions	Ø 19,4mm (0,76")
Detection Range @ 25°C	5m wide @ 2,5m high (16,4ft wide @ 8,2ft high)
Rated detection range	5m (16,4ft) @ 100° horizontal and 82° vertical detection angle
Detection Zones	64 Zones
Movement Speed	0,8 - 1,2m/s
Dimensions (Visible)	30mm (1,18")
In-wall depth	21mm (0,82") excl. wires
Voltage	12VDC
Operating Temperature	-20° - 60°C (-4° - 140°F)
Optical Lens	Ø 9,7mm (0,38")

System Compatibility

InFusion
QLink