



EQUINOX 73 LCD TOUCHSCREEN

equinox

EQ73TB-TI-III

Weather mini widget provides real-time local weather

Hardwired, always connected, always on multi-system dashboard (showing lighting, scenes, and climate system status via on-screen widgets)

Glass to edge aesthetic and graphical user interface

Home button returns to the main dashboard, no matter where you are in the on-screen navigation

Personalize by user, time, etc.

“Press” the discovery dots for more information, more control, and the ability to create and edit widget functions

Simple, intuitive graphical user interface for multi-system control

Programmable tactile switch can provide traditional “on” or “off” function, personalized scene control, etc.

Swipe left or right at the dashboard level to reveal other system widgets

product overview

description

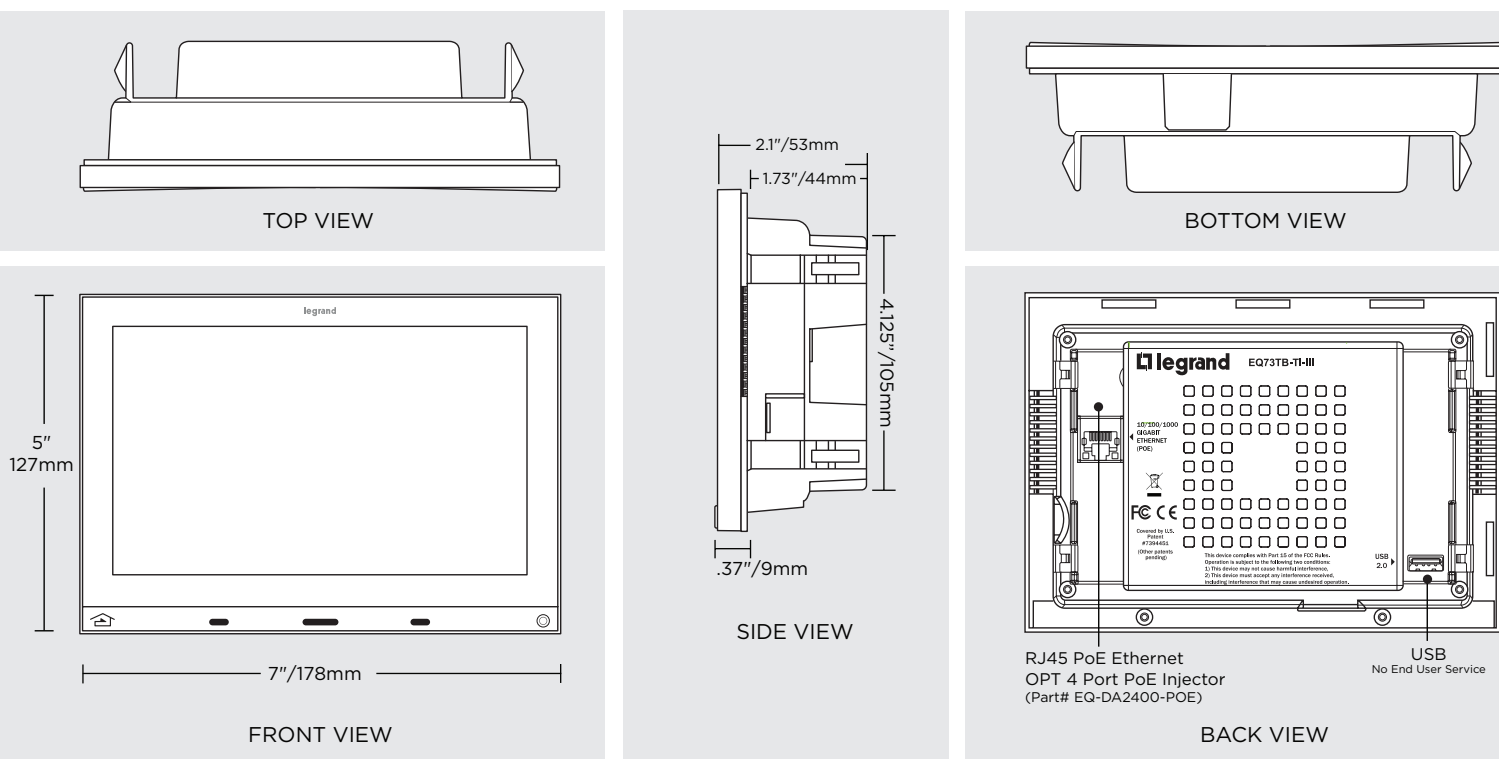
Equinox 73 is a high bright LCD touchscreen that is always on and always available. The touchscreen provides immediate control and status for three sub-systems via three vibrant widgets at a time. It offers a simple, smart tablet type navigation experience with complete consistency across EQ 41 touchscreens, EQ 40 keypads, and EQ apps for mobile devices. The EQ 73 dashboard view (homescreen) offers immediate status and control of day to day functions. Navigate to the second or full screen layer for more specific, less used operations. The edit mode layer is then used for users to schedule and update pre-defined tasks.

operation

Utilizing the combined power of InFusion and Design Center software, Equinox 73 can be auto configured with subsequent updates delivered through Design Center or on the EQ 73 screen. The pre-defined graphical environment allows installers and programmers to efficiently create intuitive screens that are consistent with the entire user environment. The common graphical user interface with swipe and touch consolidates EQ 73’s consistency with mobile tablets and phones.

With the unique profiles feature, users are given the ability to personalize their experience. The touchscreen gives users the ultimate power by allowing them to schedule, edit, and prioritize the control functions that matter most to them.

PROJECT	
LOCATION/TYPE	



highlights

A 7" LCD touchscreen truly sets EQ 73 apart. With a larger screen, users are able to view three widgets at a time and easily navigate in full screen and edit modes. And since all Equinox products maintain a consistent, sleek appearance, Equinox 73 looks beautiful on the wall. This touchscreen gives the user ultimate control over his/her environment by allowing him/her to edit or create new scenes. Within every widget, there are options for changing or creating new functionality based on the needs and desires of the end user.

features

- 7" LCD touchscreen
- Titanium TrimLine II frame; black glass-to-edge surface aesthetic
- Unique widget based graphical user interface
- Aesthetically identical to other Equinox products
- Ambient light sensor for auto day/night backlighting
- Each Equinox device includes one software license for the Equinox app

applications

Equinox 73 is the perfect addition to any automated lighting project running Vantage's InFusion system. With its ability to access and control sub-systems via on-screen widgets, EQ 73 is a necessity for spaces with automated lighting control. When the requirements of the space indicate the need for a quick dashboard view of multiple sub-systems, EQ 73 should be a primary consideration. The 7" screen also makes EQ 73 ideal for working in the full screen and edit modes, so users who desire this feature should include EQ 73 in their solution as well.

- Motion sensor screen on and initiate task
- Three visible widgets with full screen and edit modes
- 90% daily control; customize through additional screen levels
- Gesture, flick, tap, and swipe
- Aesthetic and user interface consistency with Equinox 41 and tablet apps (Android and iOS)

specifications

Dimensions (HWD)

On-wall surface	4.9" x 6.9" x 0.37" 124mm x 175mm x 9mm
Overall	4.9" x 6.9" x 2.1" 124mm x 175mm x 53mm

General Specifications

Model	EQ73TB-TI-III
Weight	1.6 lb (725.75g)
Display	Active matrix color LCD
Display size	7" diagonal
Display resolution	1024 x 600 pixels
Hard buttons	Left: home; right: programmable
Power	PoE
Surge suppression	Yes
Sound option	Adjustable volume level - touch interaction
Wiring connections	Communication: Ethernet RJ45 or WiFi dongle Power: PoE/PoE+
Addressing	Self addressing through software
Finishes	Trim: titanium; touchscreen: black glass
Glass surface	Chemically strengthened
Ambient operating temperature	32°F - 95°F (0°C - 35°C)
Ambient operating humidity	5 - 95% non-condensing
Certification	CE, FCC
Licensing	Each Equinox device includes one software license for the Equinox app

Widget Options

See widget cutsheet for additional details



Lighting

Scenes

Climate

Weather

Shades

Timers

System Compatibility

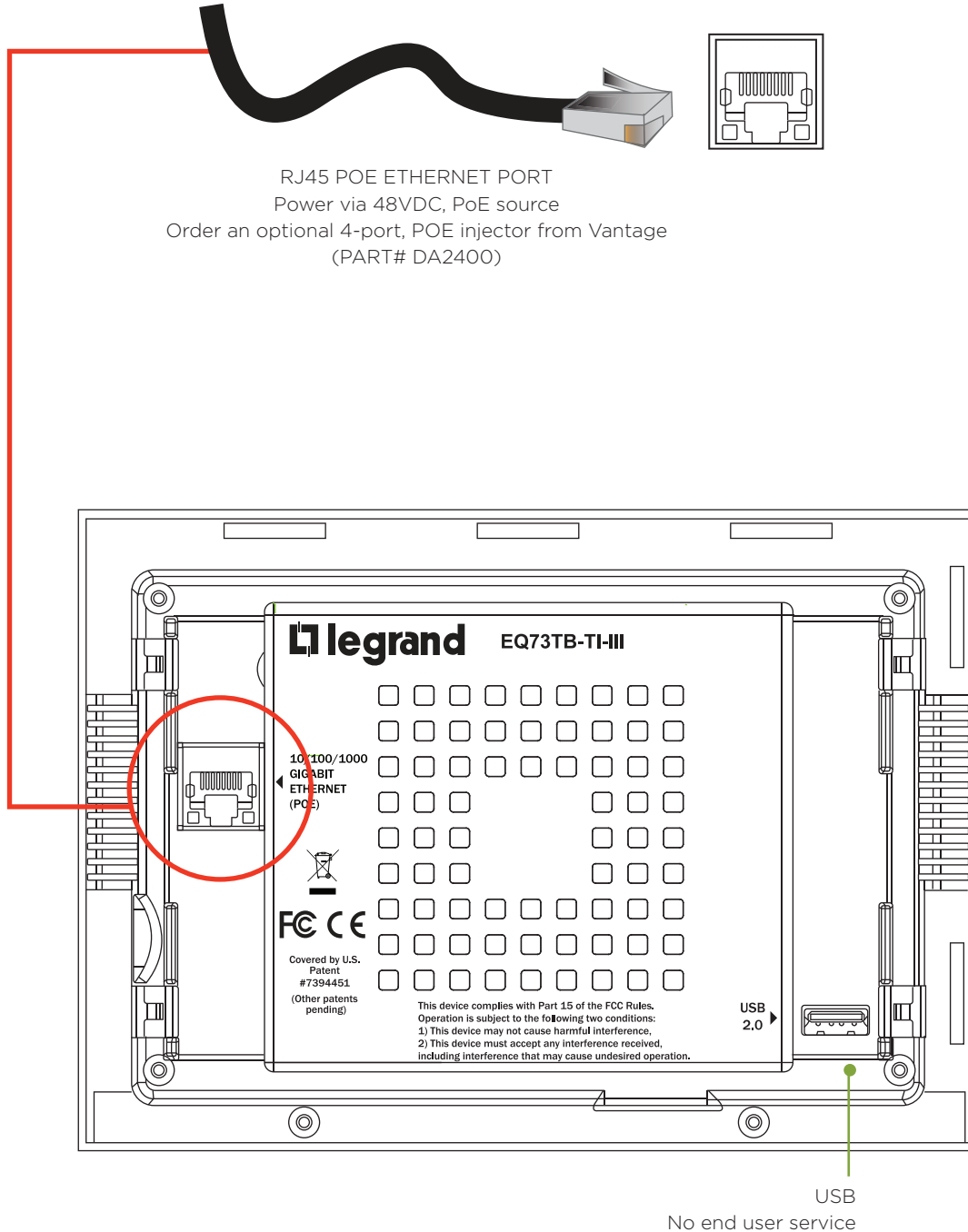
InFusion
Design Center 3.9.2.590 and above

Ordering Information

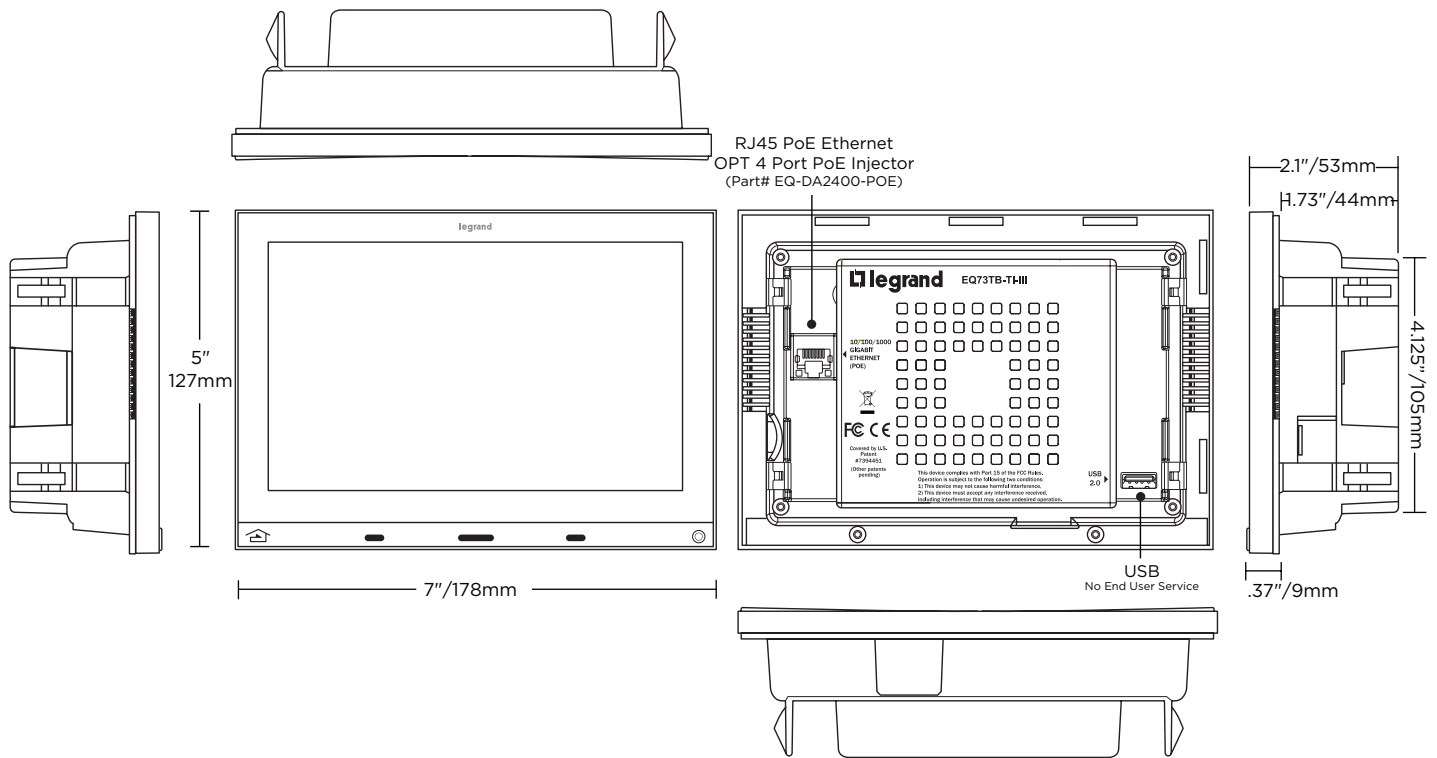
CATALOG NO.	DESCRIPTION	VOLTAGE
EQ73ST-INSTALL	Equinox 73 LCD Standard Install Kit	PoE
EQ73RE-INSTALL	Equinox 73 LCD Retrofit Install	
EQ41TB-TI	Equinox 41 LCD Touchscreen	
EQ-APP-5	Equinox 1-5 App License SD Card	
EQ-APP-10	Equinox 1-10 App License SD Card	
EQ-APP-X	Equinox Unlimited App License SD Card	

[ORDER HERE >](#)

wiring and power diagram



equinox 73 illustration at various angles



Please reference local and NEC codes for appropriate electrical and communication install methodology