



Order Code DALI 2.0 GW

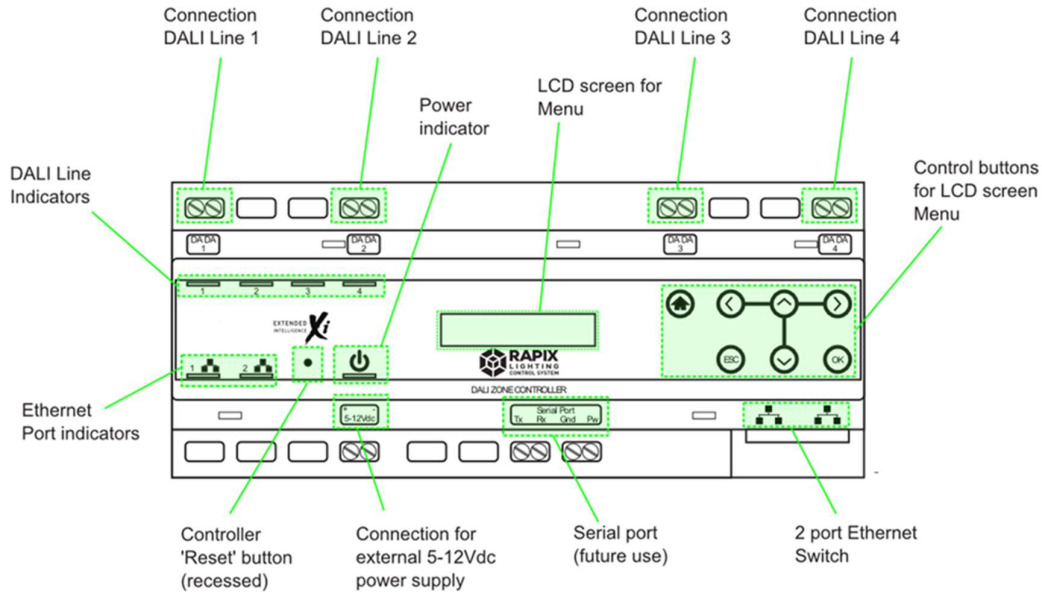
Overview An embedded Ethernet/DALI controller for the RAPIX Lighting Control System that supports seamless joining of all individual DALI lines in a building. Each Zone Controller can connect to four physical DALI Lines and communicate over an Ethernet network to lines on other Zone Controllers. The controller software allows DALI Devices and DALI Groups across any DALI Line to be linked together to form RAPIX 'Zones' and 'Scenes' to suit the application.

Features

- 12M wide DIN rail mounted embedded controller for the RAPIX Lighting Control System.
- Physical connection to four DALI lines.
- Two Ethernet ports with in-built switch for daisy chain connections.
- LCD screen and control buttons with menu driven control interface for easy programming and commissioning.
- Configured using RAPIX Integrator software tool (free download).
- Line joining between DALI lines; on a single controller and / or across controllers.
- Zone creation – Zones being collections of DALI lines and / or DALI Groups and / or DALI Short Addresses.
- Zone joining – link Zones to form larger zones.
- Zone rules – configurable logic based on states of Zones, DALI Groups and DALI Short Addresses.
- Scene control across all connected Zone Controllers and DALI lines.
- Scheduled operations.
- Seamless expansion of RAPIX sensors, switches, input devices and eHub from single DALI lines to multiple lines.
- Multiple interfaces: API available for developers to monitor and control a DALI system over an ethernet connection; REST API, and Modbus/TCP client.
- Allows C# Programming / Scripting language for customised operation.

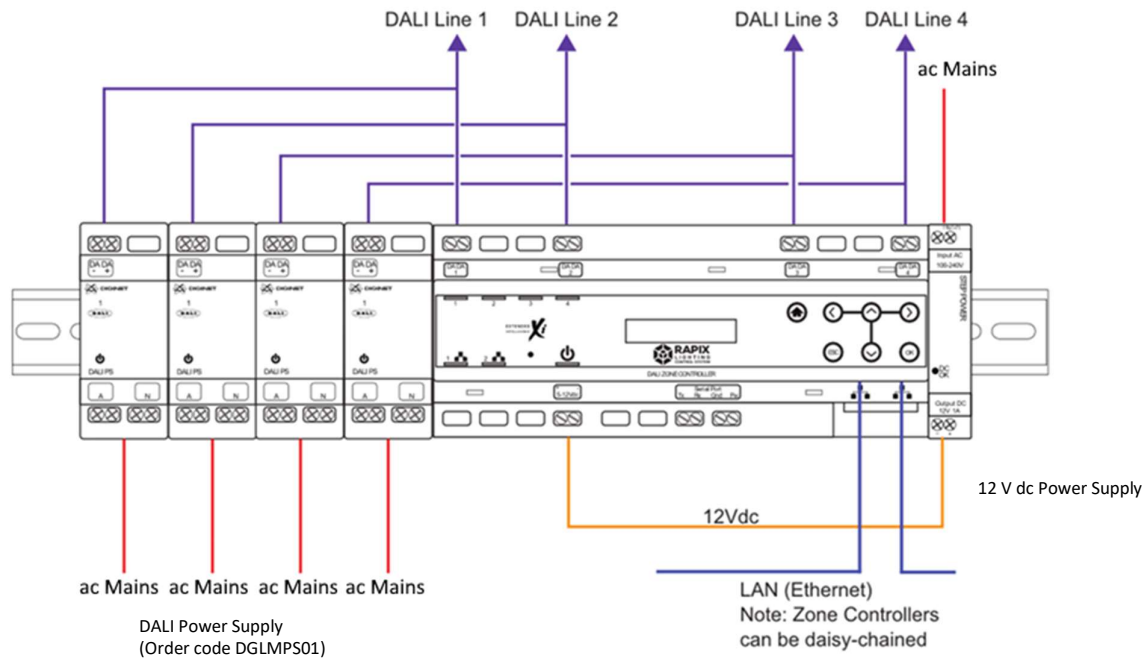
Typical Applications Residential, Commercial & Industrial buildings, Education Facilities, Health care facilities, Hotels.

Connections and Interface



The Zone Controller connects to:

- Up to four separate DALI Lines. Each DALI line can have up to 64 DALI devices (each with a DALI Short Address).
- An external SELV 5 – 12 V dc power supply to power the zone controller.
- Ethernet connections to allow communication to and from other Zone Controllers, a PC running RAPIX Integrator software, or other RAPIX compatible devices.
- RS-232 connection – accessible from C# logic code.



Ethernet Network Requirements

Parameter	Requirement
Communication between Zone Controllers	TCP/IP Port 36690 must be unblocked on all Ethernet segments
RAPIX Integrator Software Control of Zone Controller Ethernet Settings	Broadcast UDP packets on port 22266 must be routed from the computer's local network to each Ethernet segment
RAPIX Integrator Software connection to Zone Controllers (for commissioning, project update, control or monitoring)	TCP/IP port 22267 must be unblocked from the computer's local network to each Ethernet segment

Specifications

Parameter	Specification
DALI line capacity	Up to 4 separate DALI lines can be connected, with up to 64 devices on each line
DALI line operating voltage	18 V dc (nominal), supplied by external DALI power supply
DALI line current draw	2 mA (nominal) per DALI line
Power source	External power supply: 5 – 12 V dc, 200 mA @ 12 V dc
Ethernet	10 / 100 Base-T On-board 2 port Ethernet switch Auto MDI-X
Mounting	DIN rail (35 mm) mounted
IP Addressing	Zone Controller must be assigned a Static IP Addresses during the commissioning process to ensure system reliability. <i>Note: Zone Controllers support DHCP to assist with the initial configuration phase of a RAPIX project, but Static IP addresses should be assigned to all controllers during commissioning.</i>
Integration / API	Native secured API, Native trusted API, REST API, Modbus/TCP Client.

Ethernet connectors	2 x RJ45 sockets
DALI connectors (per DALI line)	2 x screw down terminal block, suitable for 2 x 2.5 mm ² conductors
LED Indicators	Power – Green ON Ethernet – Green ON when connected, FLASHES with traffic DALI – Green ON when connected, FLASHES with traffic
LCD Display	Backlit, monochrome, 2 rows x 20 character
Serial Port connection	4-wire, Tx, Rx, Ground and Power
Operating System	Windows Embedded Compact 7
Ambient operating temperature	0 to 50° C
Ambient storage temperature	-10 to 70° C
Humidity	0% to 95% RH non-condensing
Ingress protection	IP20
Materials	Enclosure – Flame retardant Polycarbonate, UL 94V-0
Weight	400 g (excluding power supply)

Standards & Compliance

EMC and Electrical Safety Frameworks and Standards

EN 55015
EN 55022, AS/NZS CISPR 22
EN 55024
EN 61547
EN 61000-3-2
EN 61000-3-3
EN 61347-1, AS/NZS 61347.1
EN 61347-2-11, AS/NZS 61347.2.11

DALI Standards

IEC 62386-101
IEC 62386-102

EU Directives

2014/35/EU Low Voltage
2014/30/EU Electromagnetic Compatibility (EMC)
2015/863 Restriction of Hazardous Substances (RoHS) in Electrical and Electronic Equipment

IP20

UK
CA

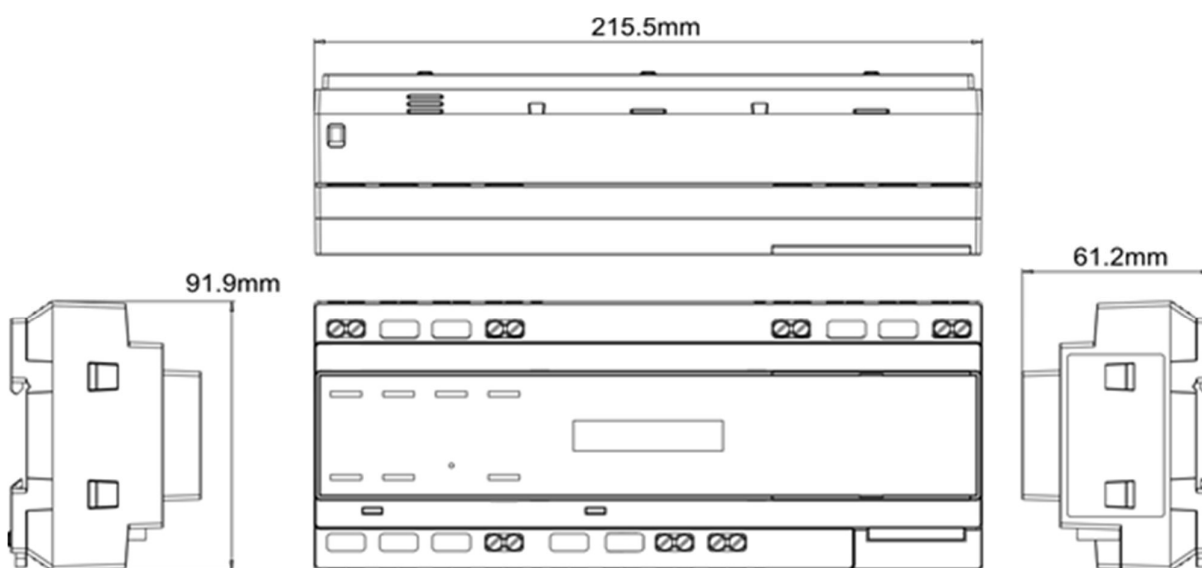
CE



ROHS
COMPLIANT



Dimensions



Contact Information

Web www.legrandintegrationsolutions.com

All Enquiries +32 3 773 31 06

contact.lis@legrand.com

Legrand Integrated Solutions

Gentsebaan 66 / 204
9100 Sint-Niklaas
Belgium

This product includes a **TWO-YEAR WARRANTY** against manufacturing defects.

13 September 2022